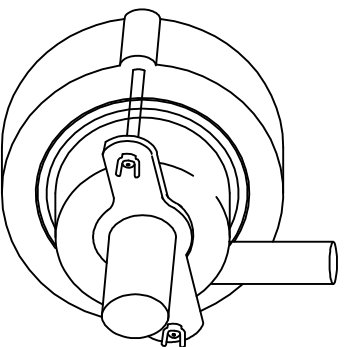


STYLE A 3 PHASE

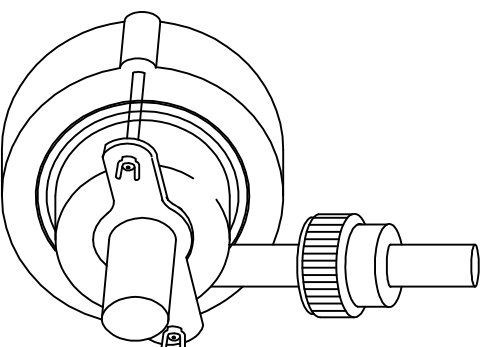
	FS30	FS40	FS50	FS55
ϕ INLET	32	32	50	50
ϕ OUTLET	25	25	25	25
H-in	80	100	100	100
H-out	X	X	X	X
H-mot	71	80	80	90
L	X	X	X	X

ALL DIMENSIONS IN MILLIMETERS
 FOR STANDARD 3 PHASE MOTORS
 FOR STYLE A PUMP HEADS
 OTHER DIMENSIONS OR MOTORS
 OR STYLES ON REQUEST



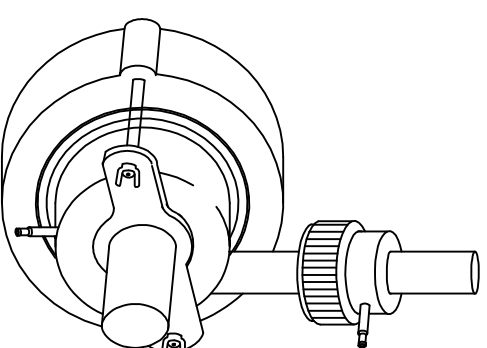
STYLE A

PLAIN TUBE ENDS



STYLE B

NON RETURN VALVE



STYLE C

NON RETURN VALVE
& DRAIN